



SUN-RAY

LED Flood Light / 240-960W



Adopt Integrated protection process combined die-casting and tempered glass, protecting from high density salt spray and other gas corrosion.



Separate module design, 240W each module integrated with driver, support 1-4 modules and fast maintenance. Hood design for option.



Equipped with independent bracket for setting the driver, better heat dissipation, and fast maintenance.



Professional light distribution with secondary optical design to meet high uniformity and utilization rate. Types of lens for improving light utilization and reduce light waste and pollution.



IP66. IK08. Built-in respirator to prevent water and fog inside the lamp.



Flexible angle adjustment, interval 10 degree.



Cable hub box for AC input and SPD fixation.(Optional)



Equipped with high-power LED and low driving current for longer lifespan and low light decay. CREE / Lumiled



Surge Protection Device (SPD 20Kv)



STADIUM & ARENAS



RECREATIONAL SPORTS



MULTI SPORTS HALLS



SWIMMING POOLS



COASTAL AREAS



AIRPORTS



UP TO 125 LM/W



IK08

CRI

70
80



3000K / 4000K
5000K



UP TO 20KV



IP66



- 30°C
+55°C



FLICKER <1%



1 LED MODULE: MAX 11.0 KG
2 LED MODULES: MAX 19.5 KG
3 LED MODULES: MAX 29.5 KG
4 LED MODULES: MAX 37.5 KG



15°, 45°, 60°, 90°
ASYMMETRIC





SUN-RAY SPECIFICATION

Power Consumption	240W	480W	720W	960W
Instant Output Lumen	30000±5% lm	60000±5% lm	90000±5% lm	120000±5% lm
LED Quantity	216 pcs	432 pcs	648 pcs	864 pcs
Typical System Efficiency	≥115 ± lm/ W			

TECHNICAL SPECIFICATION

Color Temperature	5700 ± 300K
Color (Optional)	Warm white / Neutral White (3000K / 4000K)
Beam Angle	16° - 45° - 60° - 90° - Asymmetric
Input Voltage	100 ~ 240V AC
Input Voltage (Optional)	120 ~ 277V AC
Frequency	47 ~ 63Hz
Operating Temperature	-30 °C ~ +55 °C
Storage Temperature	-30 °C ~ +60 °C
Material	Die-Cast Aluminum
Lifespan (Ta:50°C)	> 50,000 hours
Cover	Flat Tempered 4mm Glass
Driver Box	Attached (Remote on Request)

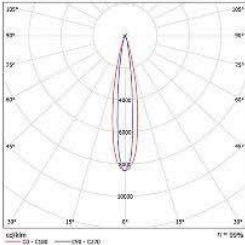
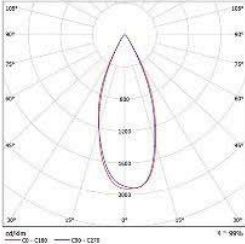
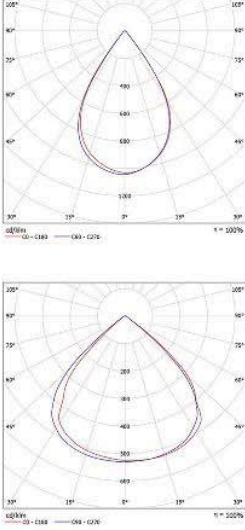
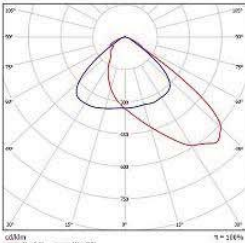
LED SPECIFICATION

LED Brand	Cree	Model No.	1W (350mA) , 1.5W (525mA)
LED Size	3.5 x 3.5 x 2.0mm	CRI	≥ 70 , ≥ 80
Viewing Angle	120°	LED Lumen	120 -150 lm



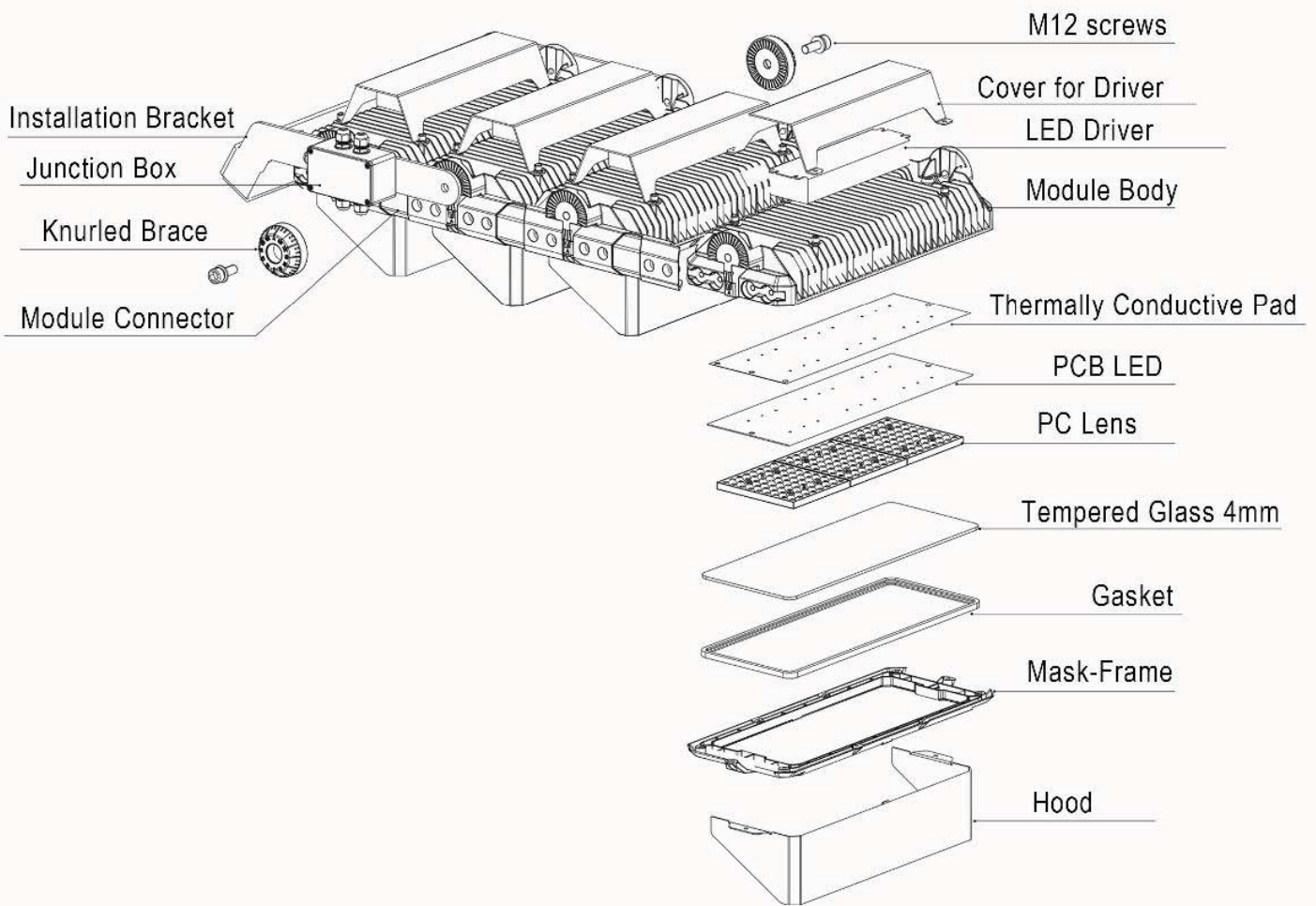


LIGHT DISTRIBUTION CURVE DETAIL

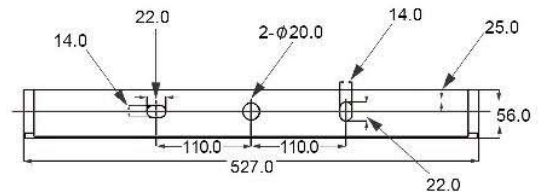
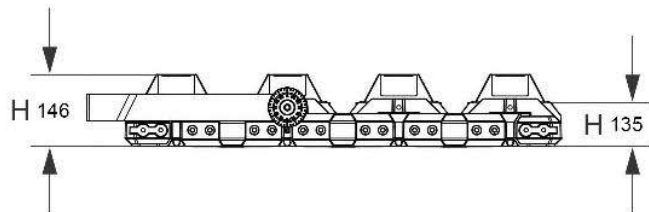
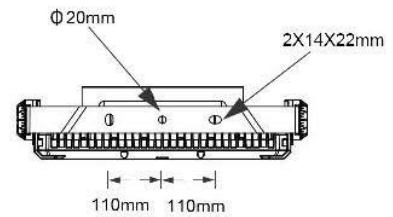
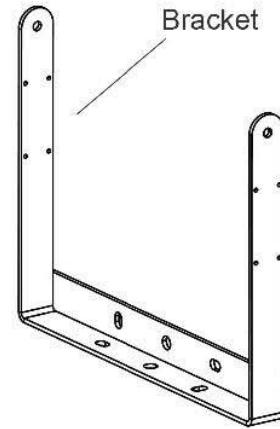
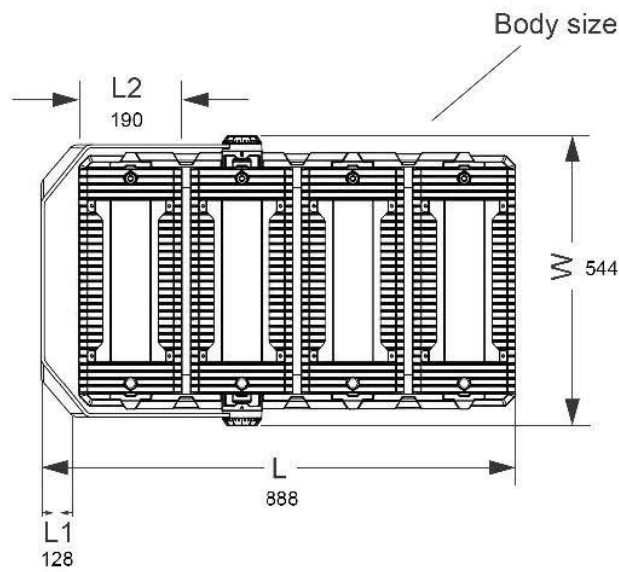
PATTERN	DISTRIBUTION	DIAGRAM	APPLICATIONS
<p>SPOT 16°</p>	<p>A narrow angle provides a focused beam of light on small area. It can have sharp edges or a softer edge can be achieved with a diffused lens.</p>		<p>Accent Lighting Task Lighting</p>
<p>MEDIUM 45°</p>	<p>A medium beam pattern sits in the middle and this is ideal for general purpose room illumination.</p>		<p>General Purpose Lighting</p>
<p>WIDE 60°/90°</p>	<p>Wide angles are ideally suited for light that needs to cover a large area. E.g. Car parks. If the light reaches a large area, fewer light sources are required for sufficient illumination.</p>		<p>Wide Area Lighting</p>
<p>ASYMMETRICAL</p>	<p>An asymmetric lens directs the light forwards, therefore avoiding any light being wasted in areas.</p>		<p>Workplace Lighting Task Lighting</p>



FIXTURE DETAIL

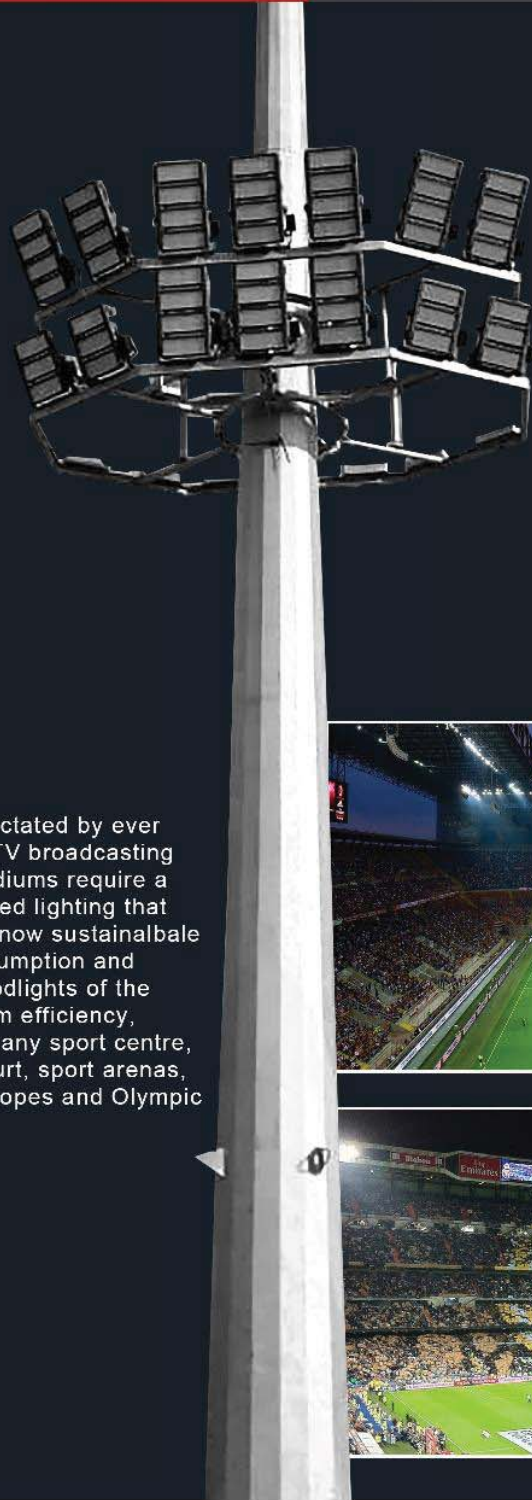


PRODUCT DIMENSION



Model	Power Consumption	L	L1	L2	W	H	H1	G.W
SUNRAY - 1	240W	265mm	128mm	190mm	544mm	146mm	135mm	11.0kg
SUNRAY - 2	480W	470mm	128mm	190mm	544mm	146mm	135mm	19.5kg
SUNRAY - 3	720W	680mm	128mm	190mm	544mm	146mm	135mm	29.5kg
SUNRAY - 4	960W	888mm	128mm	190mm	544mm	146mm	135mm	37.5kg





Sport Facilities:

The rules of sports lighting are dictated by ever more demanding high-definition TV broadcasting requirements. Major football stadiums require a very high level of evenly distributed lighting that should be achieved according to now sustainable criteria in order to minimise consumption and reduce lighting pollution. The floodlights of the Sunray range guarantee maximum efficiency, reliability and energy savings for any sport centre, including school gyms, tennis court, sport arenas, swimming pools, golf court, ski slopes and Olympic venues.

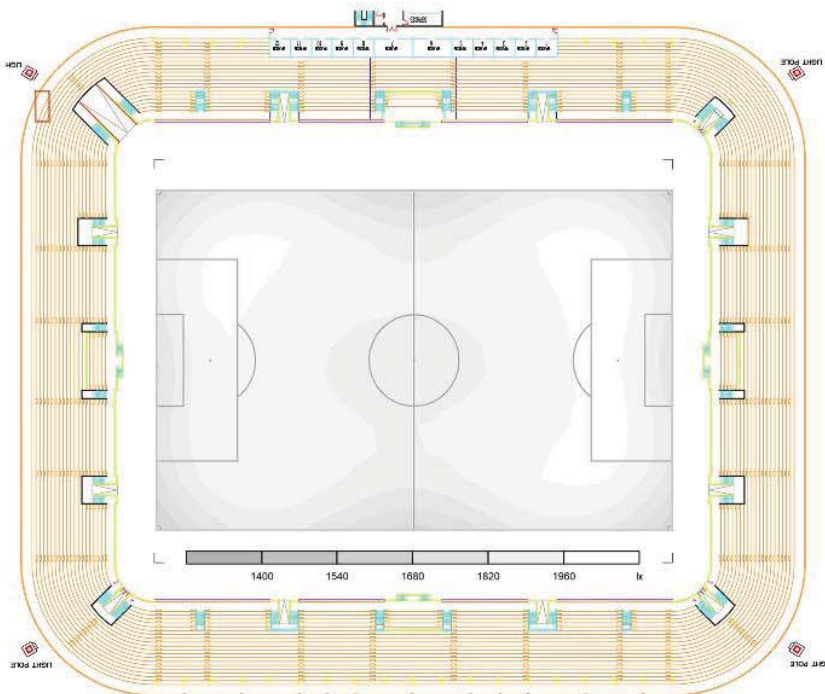




(EXERCISE) LOCAL SPORT CLUB / RIYADH

EQUIPMENT LIST FOR AREAS SHOWN					
Pole				Luminaire	
Qty	Location	Size	Grade Elevation	Mounting Height	Luminaire type
4	S1-S4	45m	-	45m	Sunray 960w

GRID SUMMARY	
Size:	105.0m x 68.0m
Spacing:	9.5m x 9.7m
Height:	1.0m above grade



ILLUMINATION SUMMARY	
MAINTAINED HORIZONTAL LUX	
Entire Grid	
Guaranteed Average:	1800 (As Per AFC CAT-2)
Scan Average:	1841
Maximum:	2050
Minimum:	1386
Min / Avg:	0.75
Min / Max:	0.60
LUMINAIRE INFORMATION	
Color / CRI:	5700K - 80 CRI
Luminaire Output:	120000 Lumens
No. of Luminaires:	272
Total Load:	261,5 KW



The end result - well adapted to the dimensions of the stadium, its really impressive and creates a very pleasant environment for athletes and spectators, also offers the best possible lighting conditions for the television cameras.





