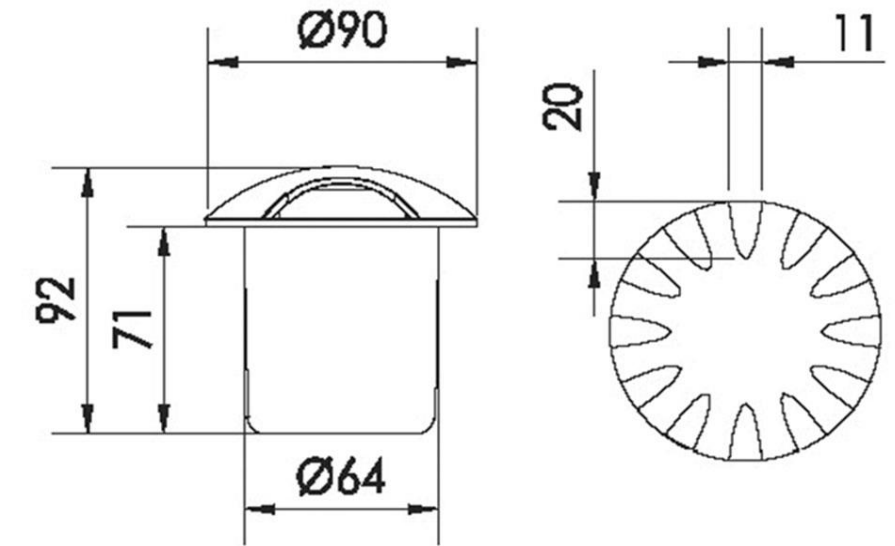


Ref : SL2104DB-12
 Code : RAY-SHY-UPLT-ING-4W-3DB
 SOLA



General Specification

Product Type Recessed Inground
Description Recessed LED Inground Light For Drive Over

Technical Data

Mounting Buried installation
Material Stainless Steel Body
Color Silver
IP Protection IP67

Optical Data

Light Source LED CREE
Wattage 4W
Lumen Output 260LM
Efficiency 65LM/W
Light Distribution 12X15°
Color Rendering (CRI) Ra>80
Color Temperature (CCT) 3000K
Average Lamp Life 50,000 Hrs.

Electricl Data

Input Voltage AC100-240V
Frequency 50/60Hz
Driver Included
Driver Mounting Integrated

Dimension

Ø90MMxH.92MM

Photometric

