



HEXA

LED LIGHTING

01

Description

- Clean , smooth design blending harmoniously into outdoor environments.
- Heavy-duty die-cast aluminum housing.
- UV stabilized polyester coating finish for durability & corrosion resistance.

CE

IP65

IK08

55°C



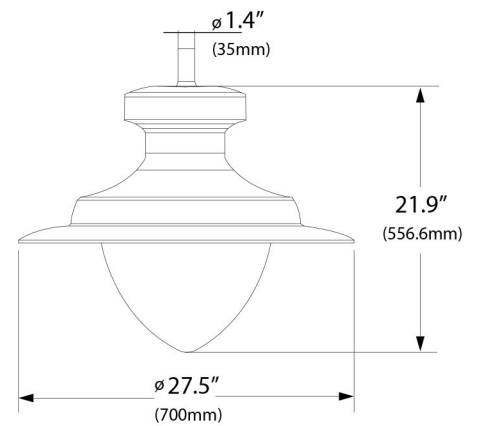
- Precision engineered individual lenses made of optical grade polycarbonate for maximum light intensity, with tempered glass cover to protect the optics.

02

The study

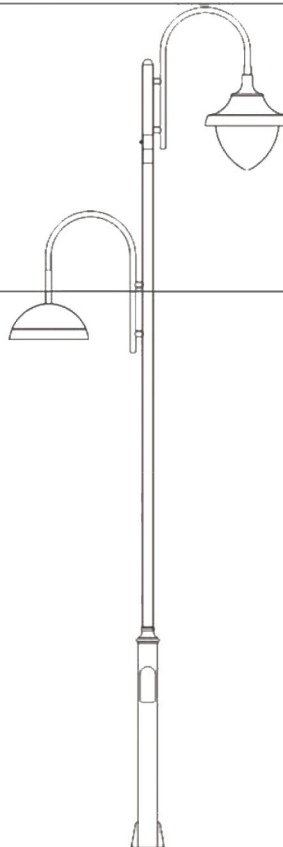
- Excellent thermal management.
- Silicon Gasket, IP65.
- Ø 35mm, pendant mount.
- Consant current driver, 100-277Vac, 50/60Hz.
- Philips Input SPD (10KV).
- Colour: Matte black RAL 9005, 9006, 9007.
- Other colour available under request.

Dimension drawing



5M

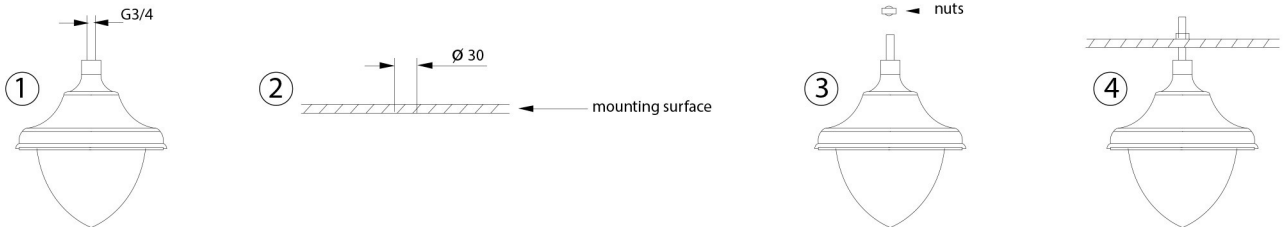
3M



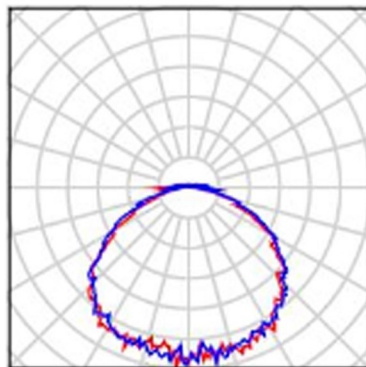
| Model | Code | Size | Rated Power | Beam Angle | Efficiency | PF | CRI | CCT | Useful Life* |
|-------|-----------|----------------|----------------|-------------|------------|-------|-------|-----------------|--------------|
| HEXA | LTYL-909F | ∅ 23.6" *22.2" | 30/60/100/150W | T2/T3/T4/T5 | >120LM/W | >0.95 | Ra>70 | 2700-4000-5700K | >50000H |
| HEXA | LTYL-909K | ∅ 27.5" *21.9" | 30/60/100/150W | T2/T3/T4/T5 | >120LM/W | >0.95 | Ra>70 | 2700-4000-5700K | >50000H |
| HEXA | LTYL-909G | ∅ 18.9" *21.7" | 30/60/100/150W | T2/T3/T4/T5 | >120LM/W | >0.95 | Ra>70 | 2700-4000-5700K | >50000H |

*Useful Life is defined as the point in time at which the LED will maintain at least 70% of its initial lumens. The LED will continue to operate past this point at decreased light levels.

Installation



LIGHT DISTRIBUTION



LIGHT