



BOLLARDO 2.2

LED LIGHTING



DESCRIPTIONS

Bollardo 2.2 is a unique design of different height bollard light with 360° downward light emission. Specially designed to give a wonderful and warm ambience

SPECIFICATIONS

Mounting	Bollard Light
Light Source	LED
Material	Die-casting aluminum alloy, Extruded aluminium profile
Diffuser	Frosted PMMA
CRI	Ra>80
Beam angle	360°
Ambient temperature	-20°C ~ +50°C
Average Life Time (Hrs)	50,000 Hrs
Driver Mounting	Integrated Driver
Input Voltage/ Frequency	220-240V, 50/60Hz

BOLLRADO 2.2 - Bollard Light

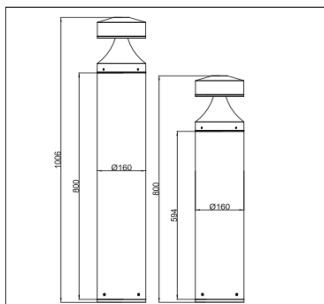


APPLICATION

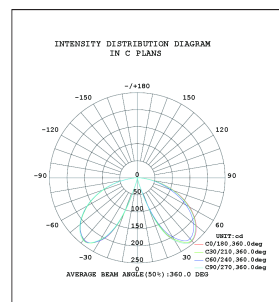
Garden, Park, Pathway etc...



DIMENSIONS



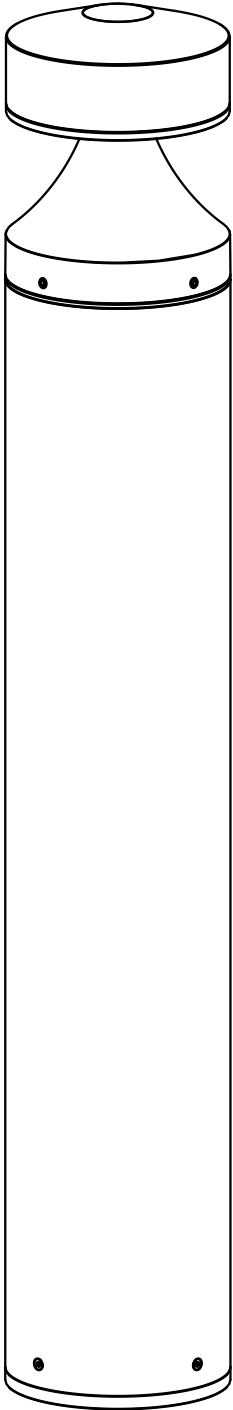
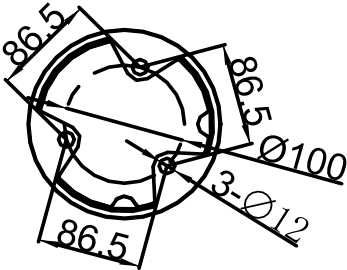
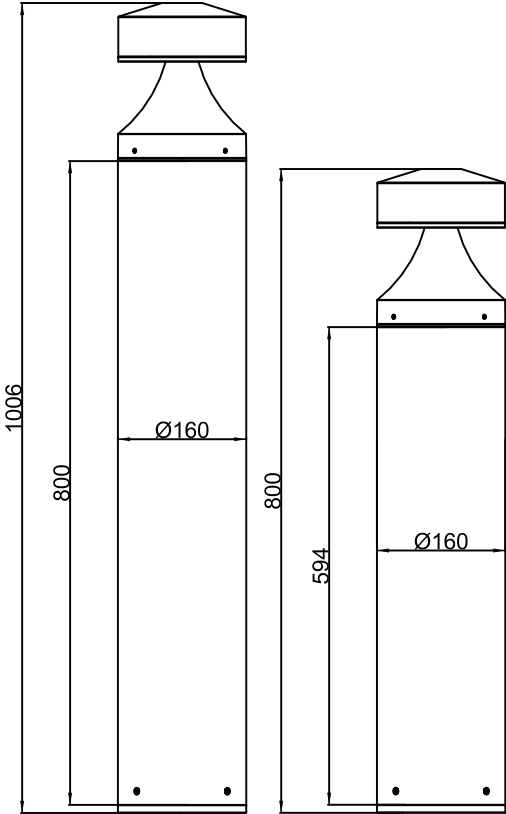
PHOTOMETRIC DATA



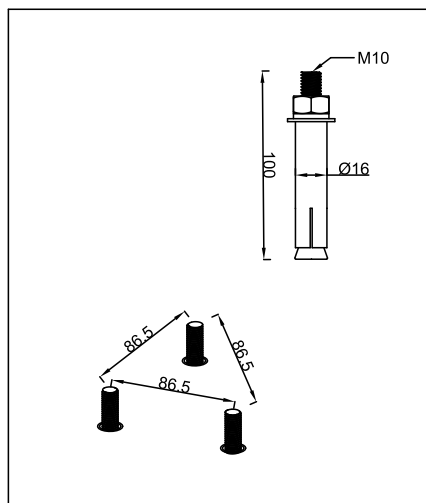
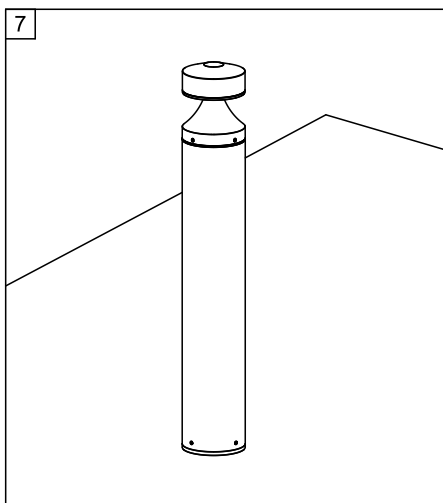
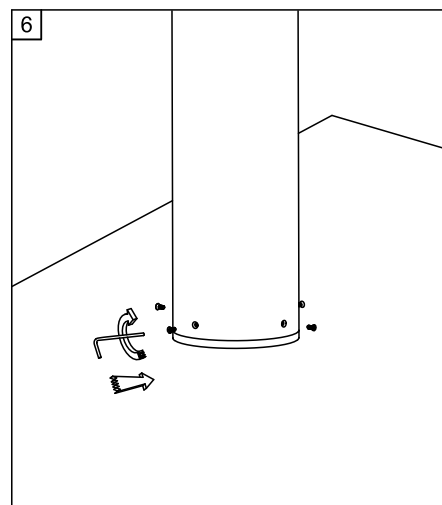
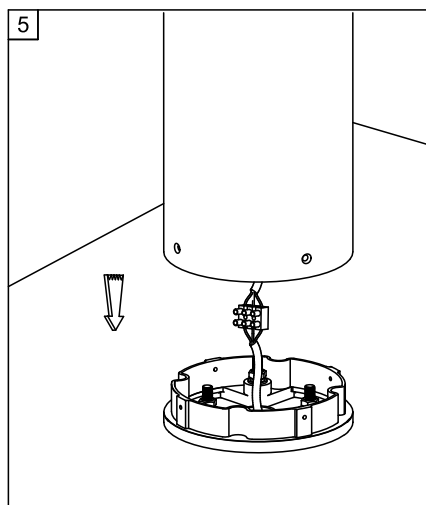
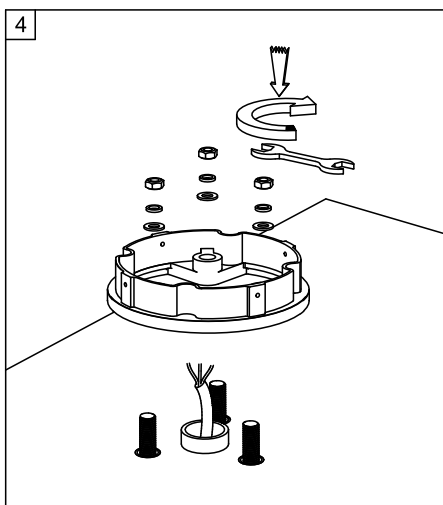
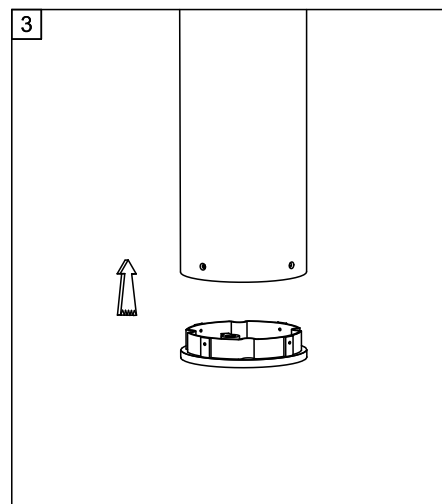
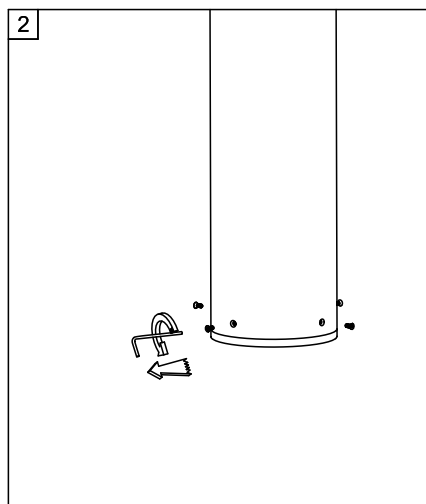
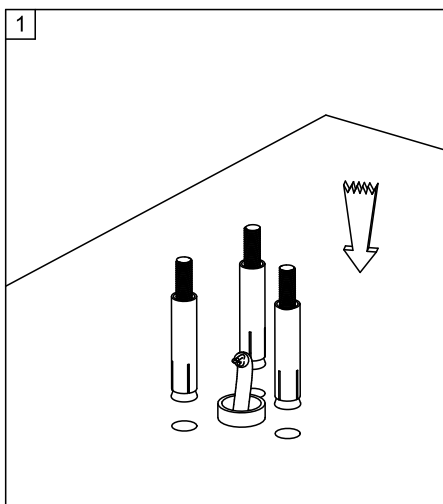
CODE	Wattage	IK	Color Temperature	Dimension (mm)	
RAY -BOLLARDO2.2-BOLL-1006-IP65-24W	24W	IK 08	3000K/ 4000K	Dia160*1006	N/A
RAY -BOLLARDO2.2-BOLL-800-IP65-24W	24W	IK 08	3000K/ 4000K	Dia160*800	N/A

INSTALLATION AND MAINTENANCE MANUAL

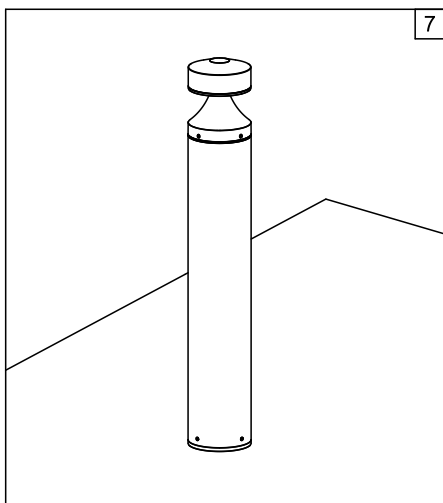
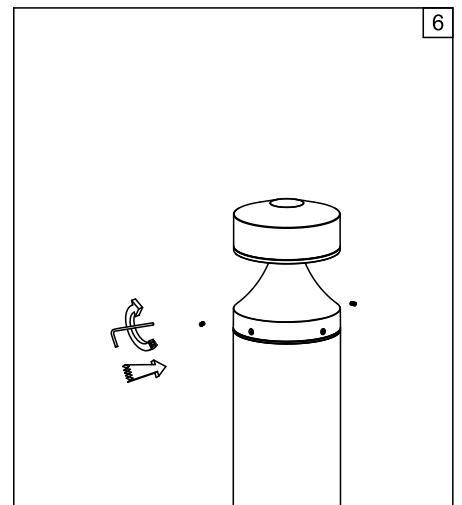
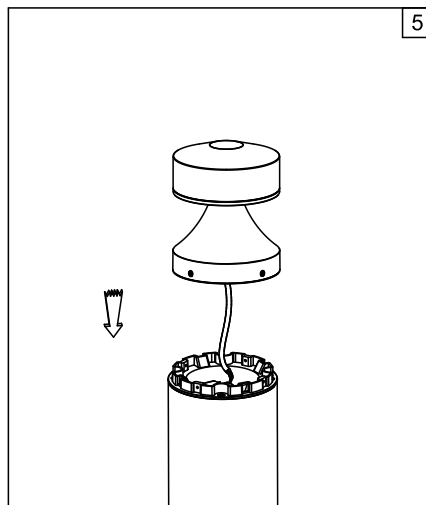
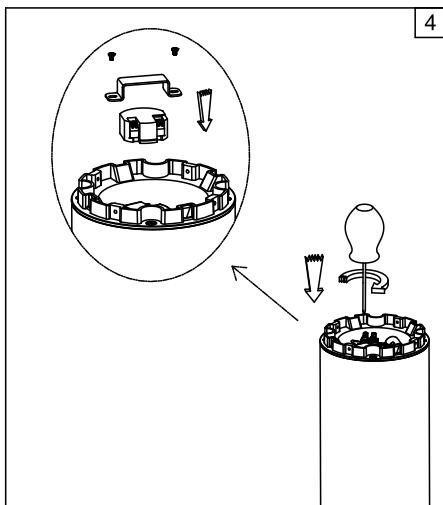
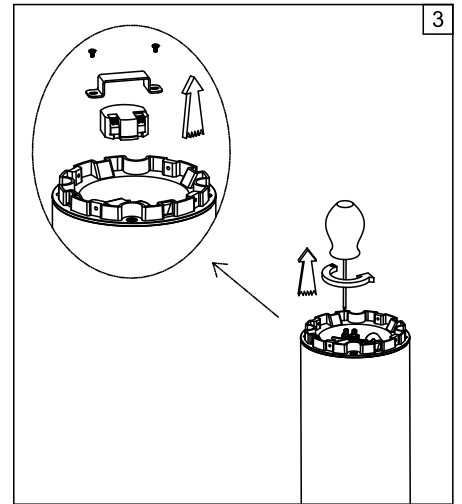
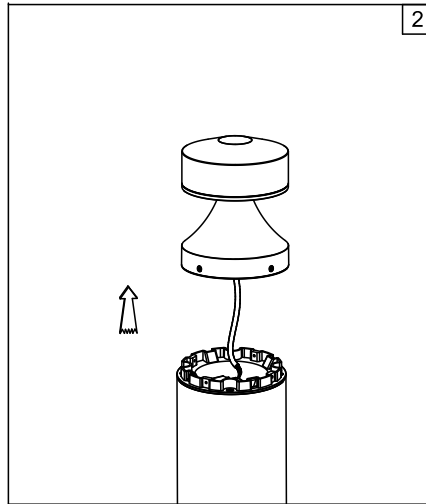
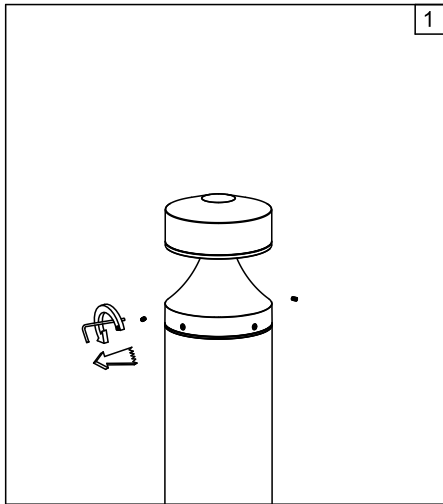
BOLLARDO 2.2



INSTALLATION MANUAL



LED driver maintenance manual



LED maintenance manual

